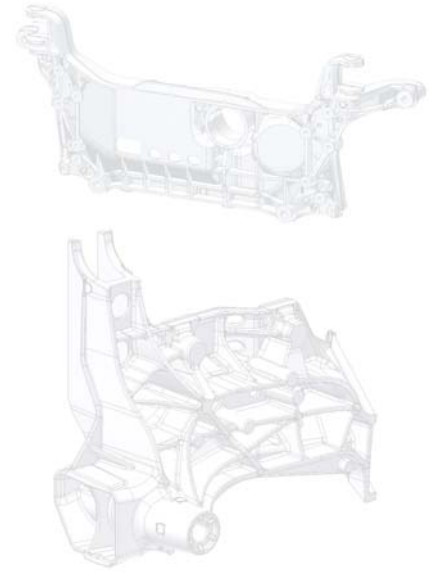


## aluminium heat-treatment plants



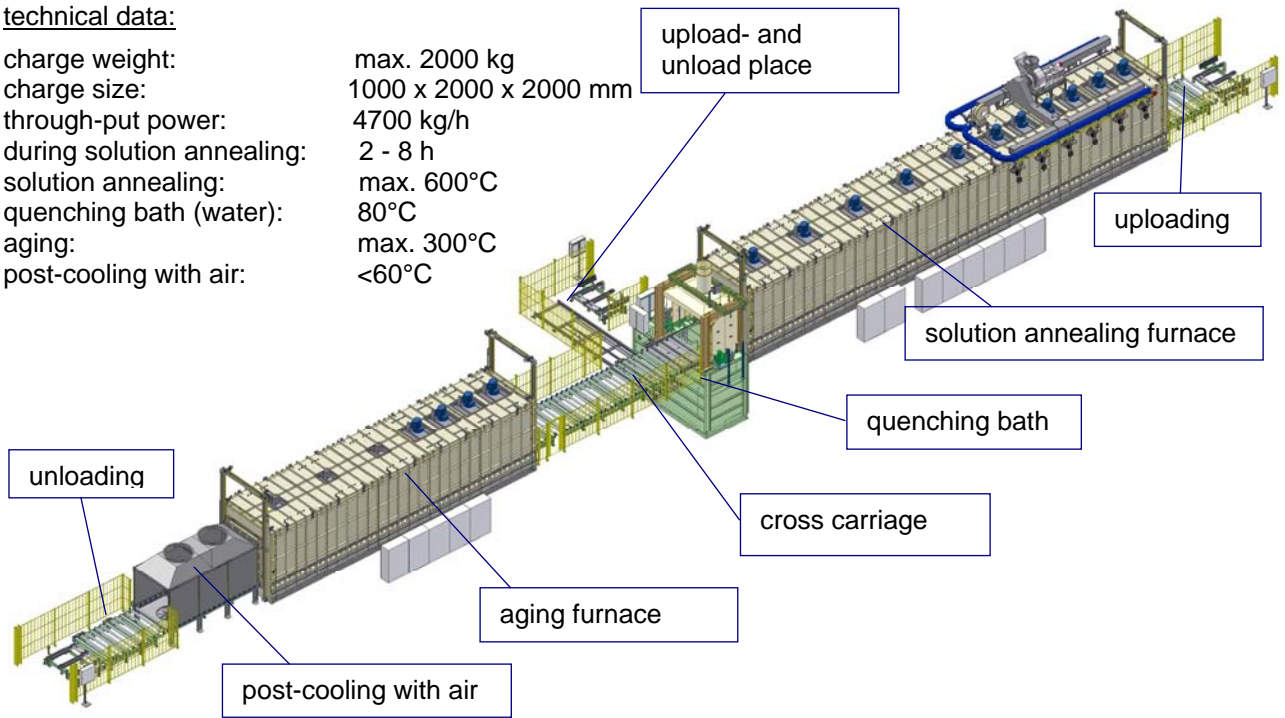
- roller hearth furnace
- chamber furnace
- pusher-type furnace



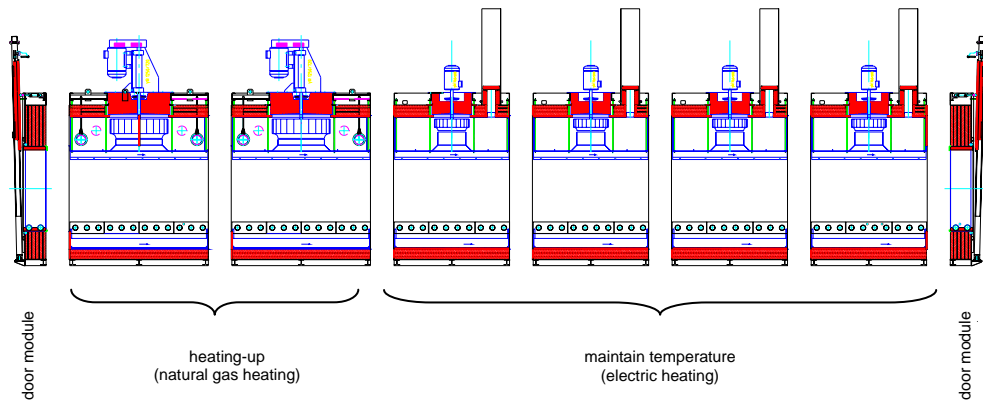
## roller hearth furnace plant

### technical data:

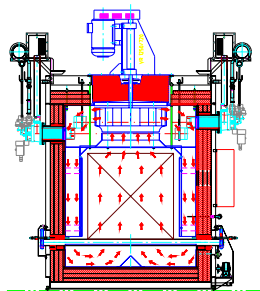
charge weight:	max. 2000 kg
charge size:	1000 x 2000 x 2000 mm
through-put power:	4700 kg/h
during solution annealing:	2 - 8 h
solution annealing:	max. 600°C
quenching bath (water):	80°C
aging:	max. 300°C
post-cooling with air:	<60°C



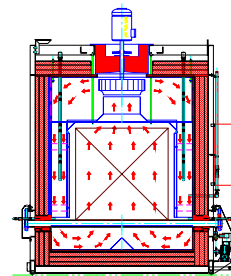
## heat-treatment plants (module construction)



module section heating-up zone



module section soaking zone



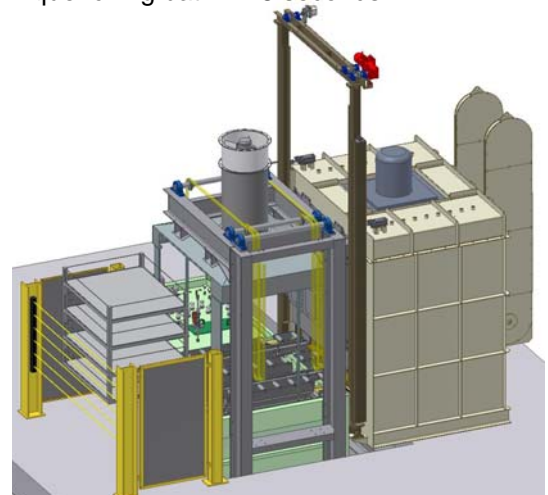


## chamber furnace with quenching bath

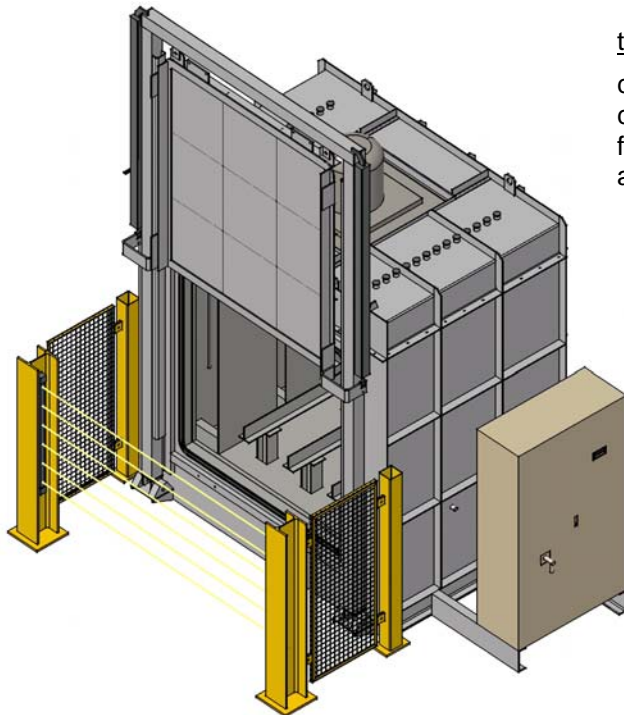


### technical data:

charge weight: 1000 kg  
charge size: 1200 x 1500 x 1500 mm  
solution annealing: max. 550°C  
quenching at: 20 – 30°C  
moving-time of solution annealing in  
quenching bath < 18 seconds

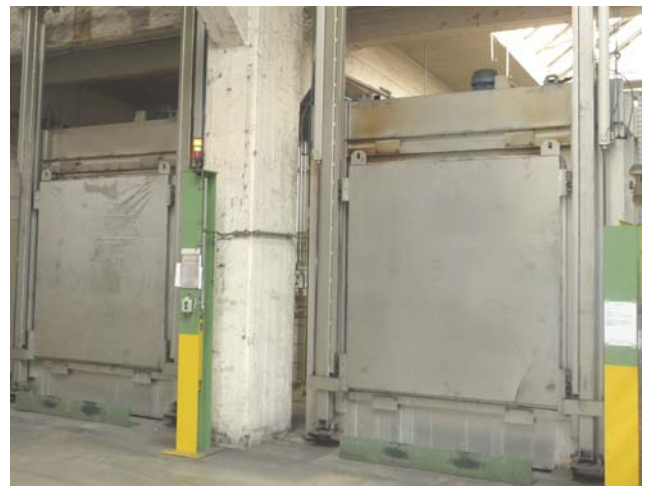


## chamber furnace with air-circulation



### technical data:

charge weight: 1000 kg  
charge size: 1200 x 1500 x 1500 mm  
furnace temperature: max. 650°C  
air-circulation: 25000 m<sup>3</sup>/h



## TWO STRONG PARTNERS FOR YOU:

### OUR SOLUTION FOR YOUR BUSINESS

#### SRS Industrieofenbau GmbH & Co.KG

The company SRS Industrieofenbau GmbH & Co. KG is your partner for complete solutions in industrial applications since 1994:

#### YOUR APPLICATION:

- tempering
- annealing
- normalization
- case-hardening
- carbonization
- gas carburizing
- austenitization
- hardening, with press too for distortion-low quenching
- thermal degrease

#### OUR CUSTOMERS:

- automotive engineering
- gear manufacturing
- contract heat treatment workshops
- forgings
- steel- and rolling/mill -works
- tool manufacture and mechanical engineering

#### OUR HIGHLIGHTS:

- reel hearth furnace plants
- roller hearth furnace plants
- gas carburizing plants
- chamber furnace plants
- rotary hearth furnace plants
- quenching baths / air quenching
- charging plants / charging appliances
- handling technics / robots
- inner welding machines for coils
- rebuildings and modernizations of old furnace plants
- automation and electrical switch systems
- technical staff for mounting and maintenance
- certificated like:  
DIN EN ISO 9001:2008

### THE PROFESSIONAL PRODUCTION COMPANY

#### SCHORISCH Magis GmbH

SCHORISCH Magis is a company for superior steel plant building and steel hydraulic engineering located at Karstädt / Prignitz (Brandenburg). A great scope of small steel components up to complete industrial furnace plants is produced at this company.



#### OUR HIGHLIGHTS:

- production area 5.000m<sup>2</sup>
- 75 staff members
- all welders with welding certifications
- own plasma/autogen-flame cutting plant
- mechanical production
- certificated like:  
DIN EN ISO 9001:2008  
DIN EN ISO 3834-2  
DIN 18800-7 class E, producer qualification  
DIN 2303 Q1, technical army items  
DIN 15085 -2, rail administration  
penetrant testing PT1 / PT2